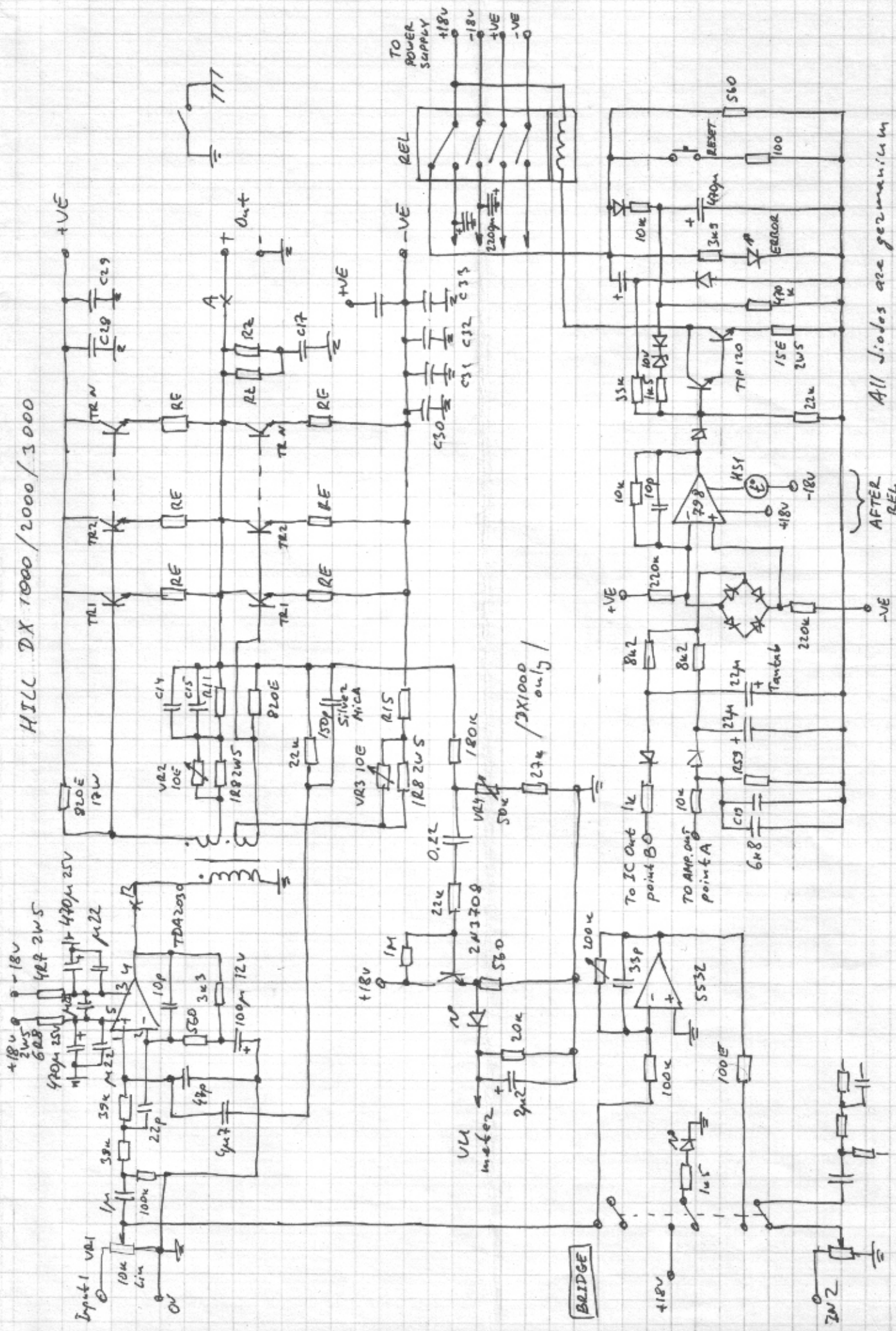


HILL DX 1000 / 2000 / 3000



All diodes are germanium
H51 75° Oh / 60° Oh

Hill Audio Ltd. England

Super Class A

	DX 1000	DX 1000 A	DX 2000	DX 3000
Power 8Ω	375	500	400	550
RMS.W. 4Ω	600	800	600	900
2Ω	—	—	1000	1500
Bridge 8Ω	1000	1500	1200	1600
4Ω	—	—	2000	3000
Rate V/μs	45	45	60	60
Noise "A"	-100dB to -105dB			
Input	1.55V	(+6dBm)		
Cooling	1x5" fan	1x5" fan	2x5" fan	2x5" fan
Bias mA	8.3	12.5	16.7	20.8
R11	3R3 2W5	2R7 2W5	3R3 2W5	2R7 2W5
R15	—	—	—	—
RE	247 2W5	R68 2W5	R47 2W5	R68 2W5
RZ	R68 2W5	R68 2W5	R68 2W5x2	R47 2W5x2
C14	not fitted	1μF	not fitted	not fitted
C15	1μF	1μF	—	—
C16	not fitted	not fitted	2μ2 250V	2μ2 250V
C17	0.68	0.68	0.68	1μF
C19	10H	22H	22H	22H
C28	1μF	1μF	1μF	1μF
C29	1μF	1μF	not fitted	1μF
C30	1μF	1μF	1μF	1μF
C31	—	—	—	—
C32	1μF	1μF	not fitted	not fitted
C33	—	—	—	—
C36	} 15000	15000	18000	18000 / вкраще усиле 125V / для обмотки, мост и конден-рты
C37		125V	125V	
TR	4x H001 per bank	6x H101A	8x H001	10x H101A ОБРАТНО НАПРЯЖЕ ТОЛЬКО ±18V