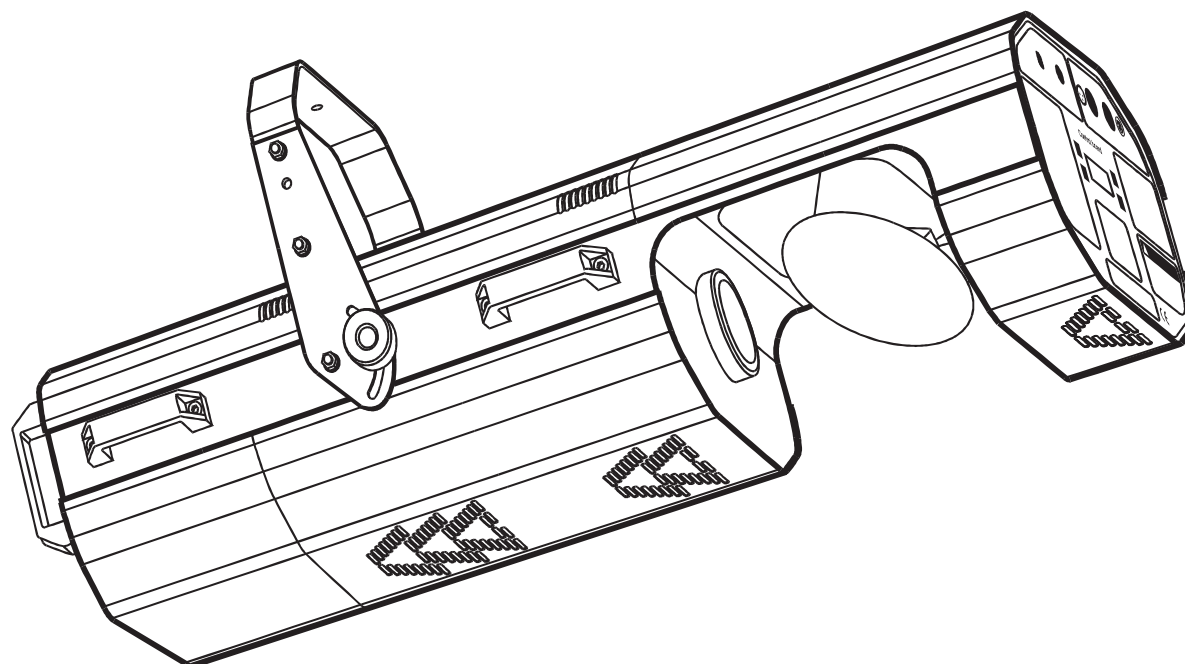


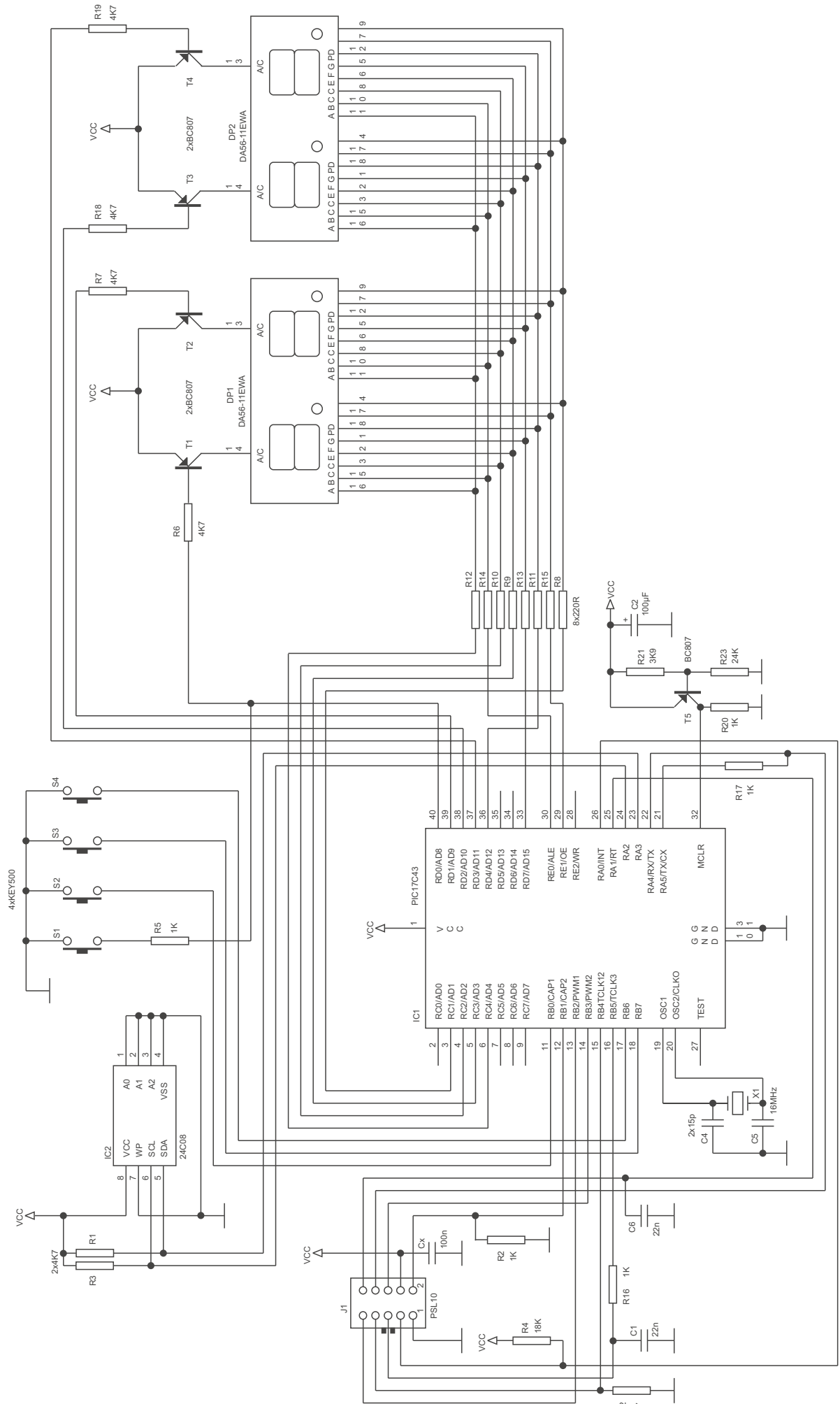
Futurelight[®]

LIGHTING SYSTEMS MADE IN EUROPE

Scan SC - 940

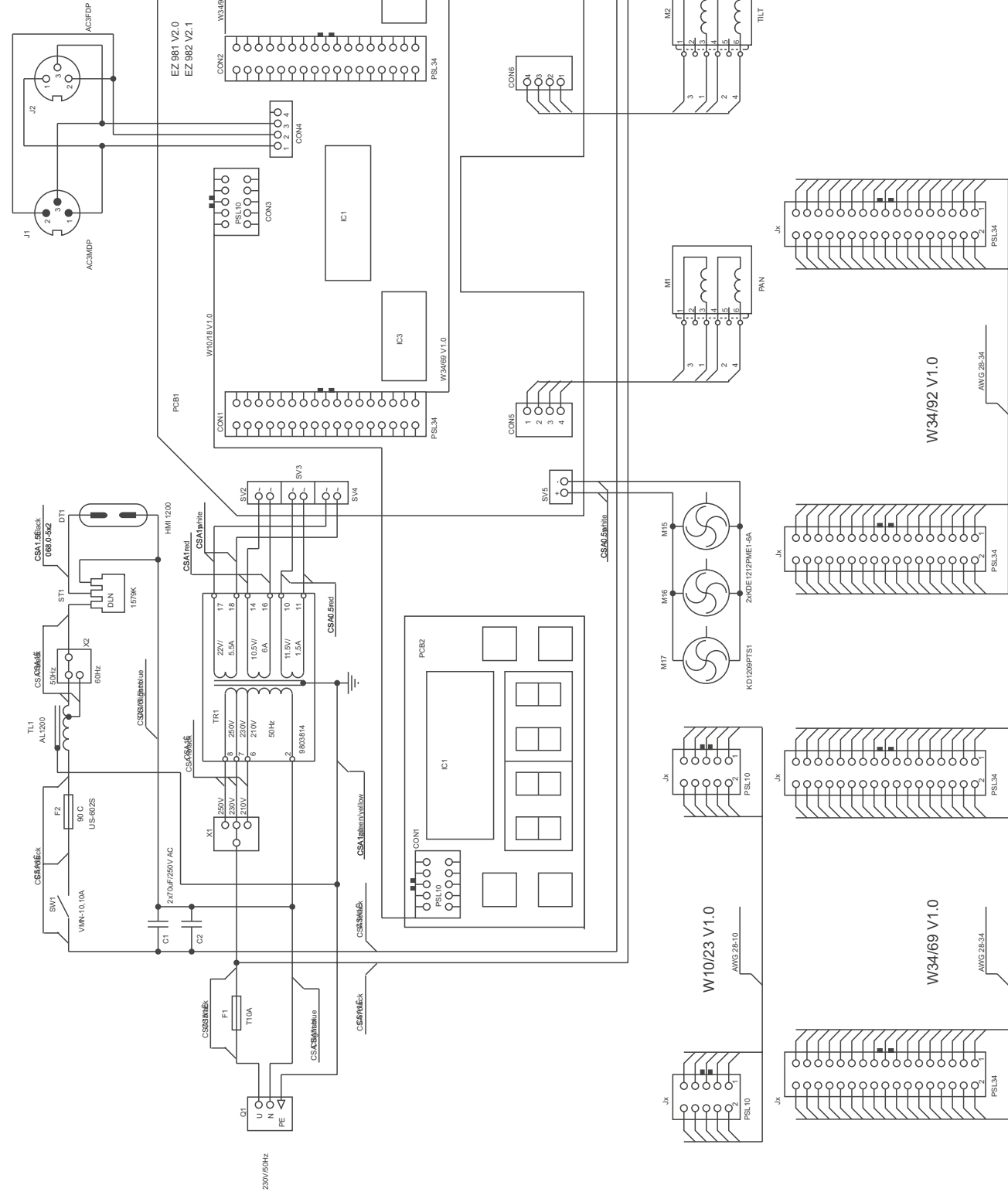
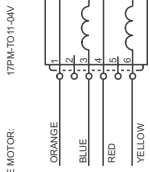


CE



NAME	Futurelight
TITLE	Num. Disp. SMD V3
DOCUMENT	CIRCUIT DIAGRAM V.2/1
SIZE	A4
DATE	26.11.1998
SHEET	1
OF	9

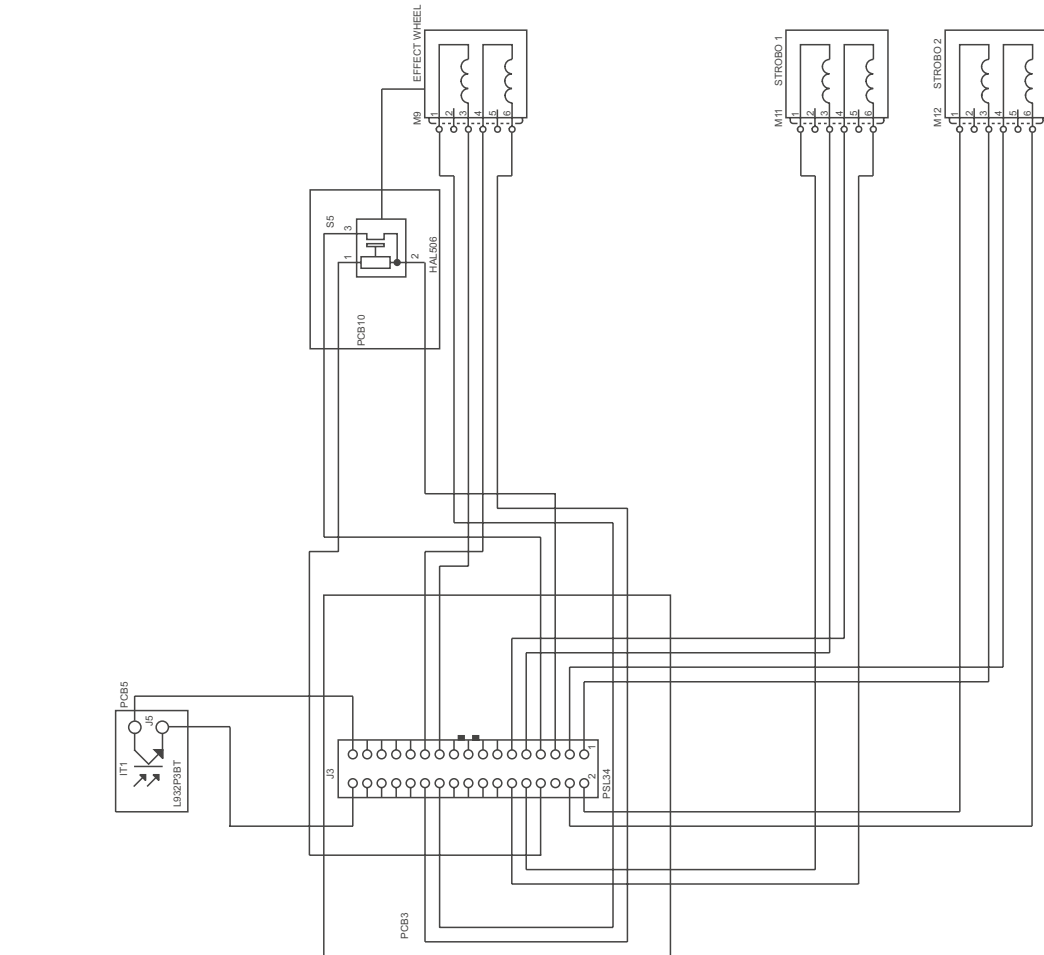
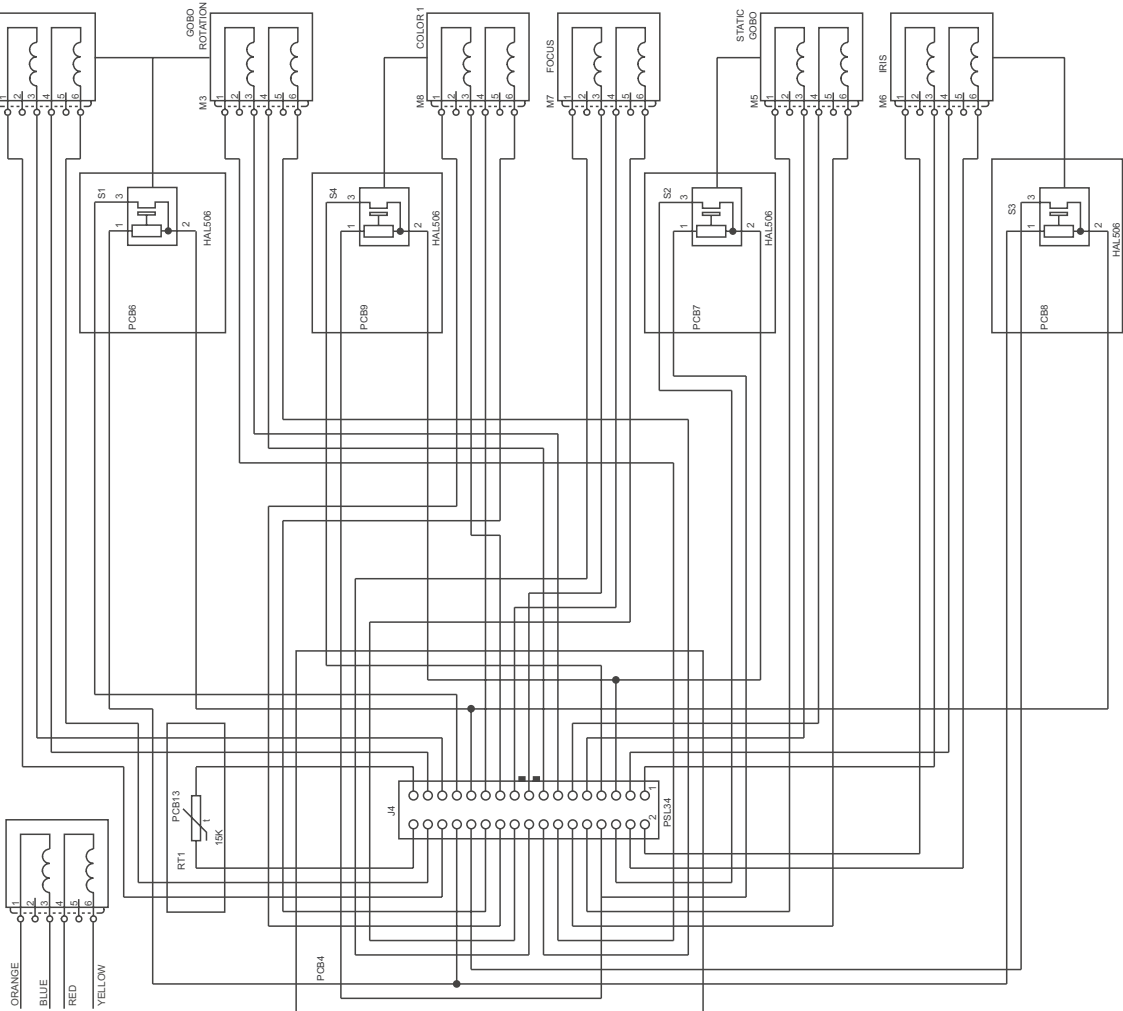
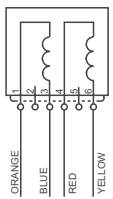
COLOURS WIRE MOTOR:



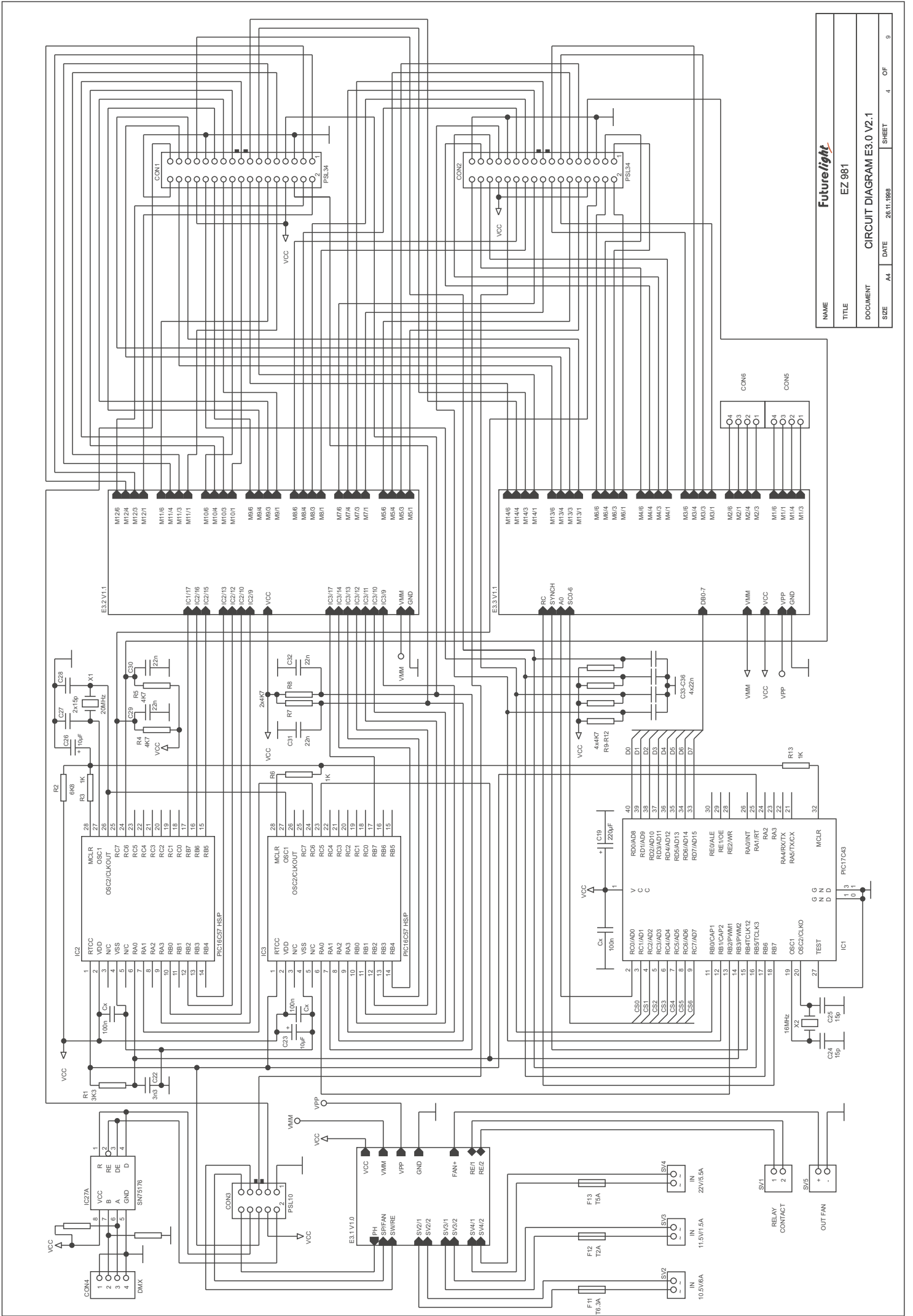
BLOCK MOTORS
SHEET: SC-940 E2 V1.0

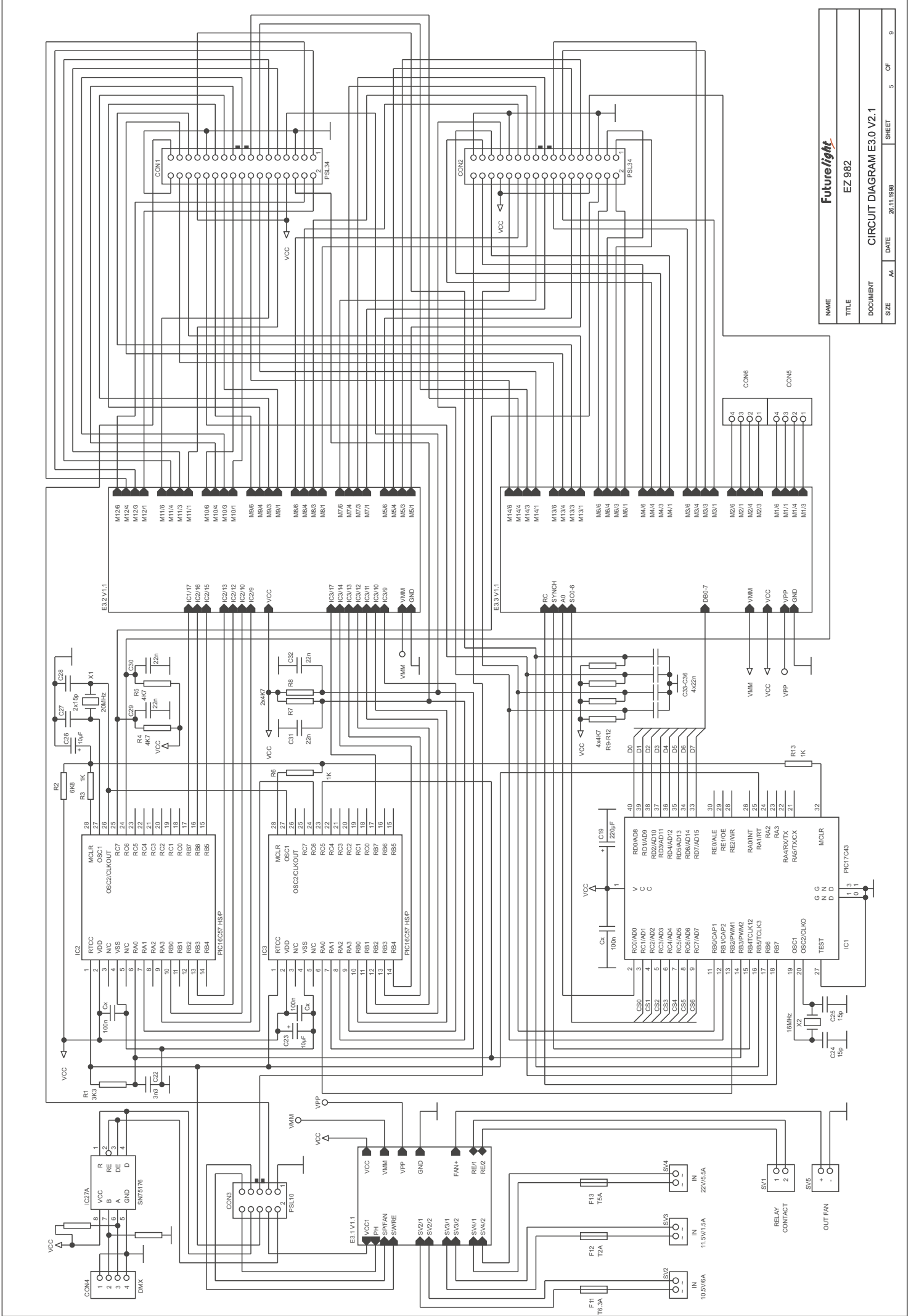
NAME	Futurelight
TITLE	SC 940
DOCUMENT	WIRING DIAGRAM E1 V1.0
SIZE	A4
DATE	26.11.1998
SHEET	2
OF	9

COLOURS WIRE MOTOR: 17PM-T011-04V

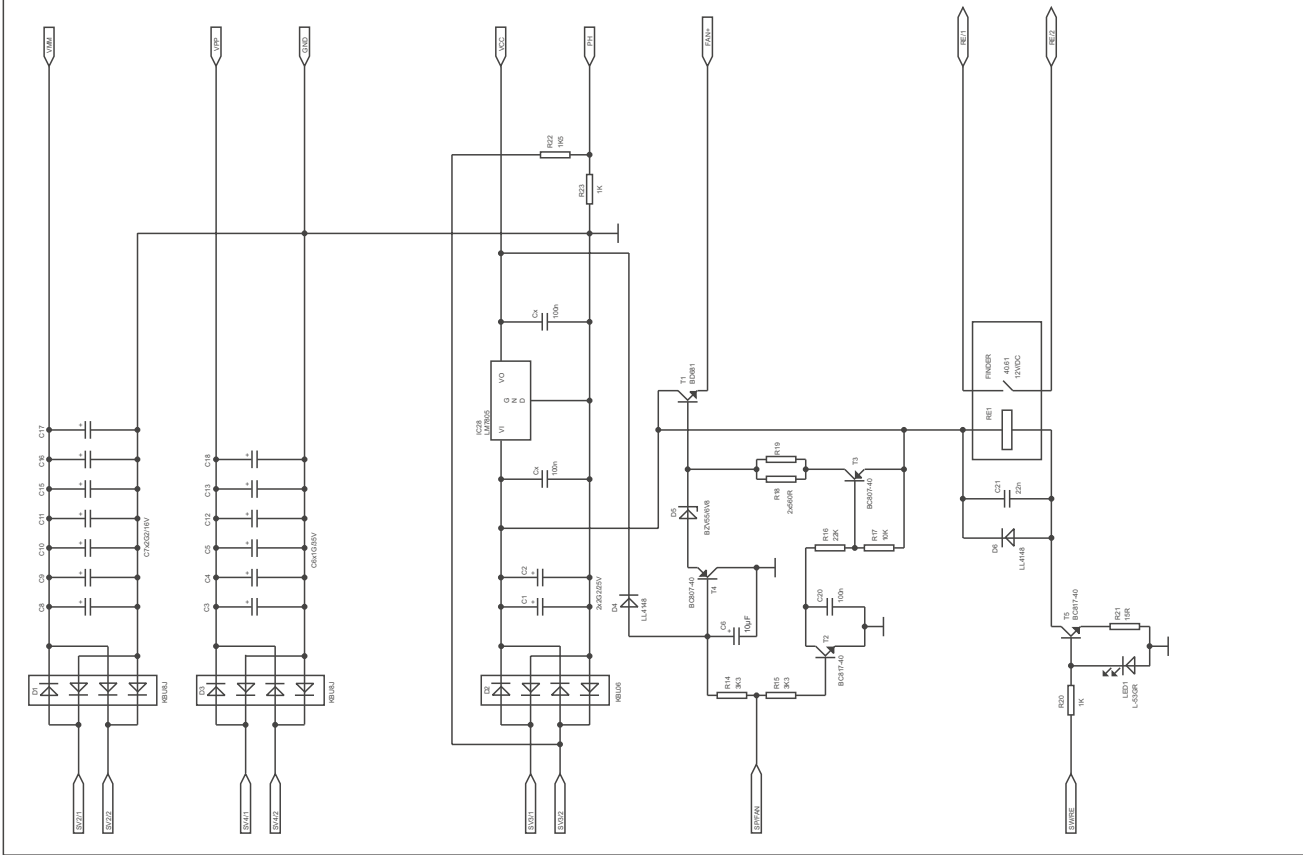
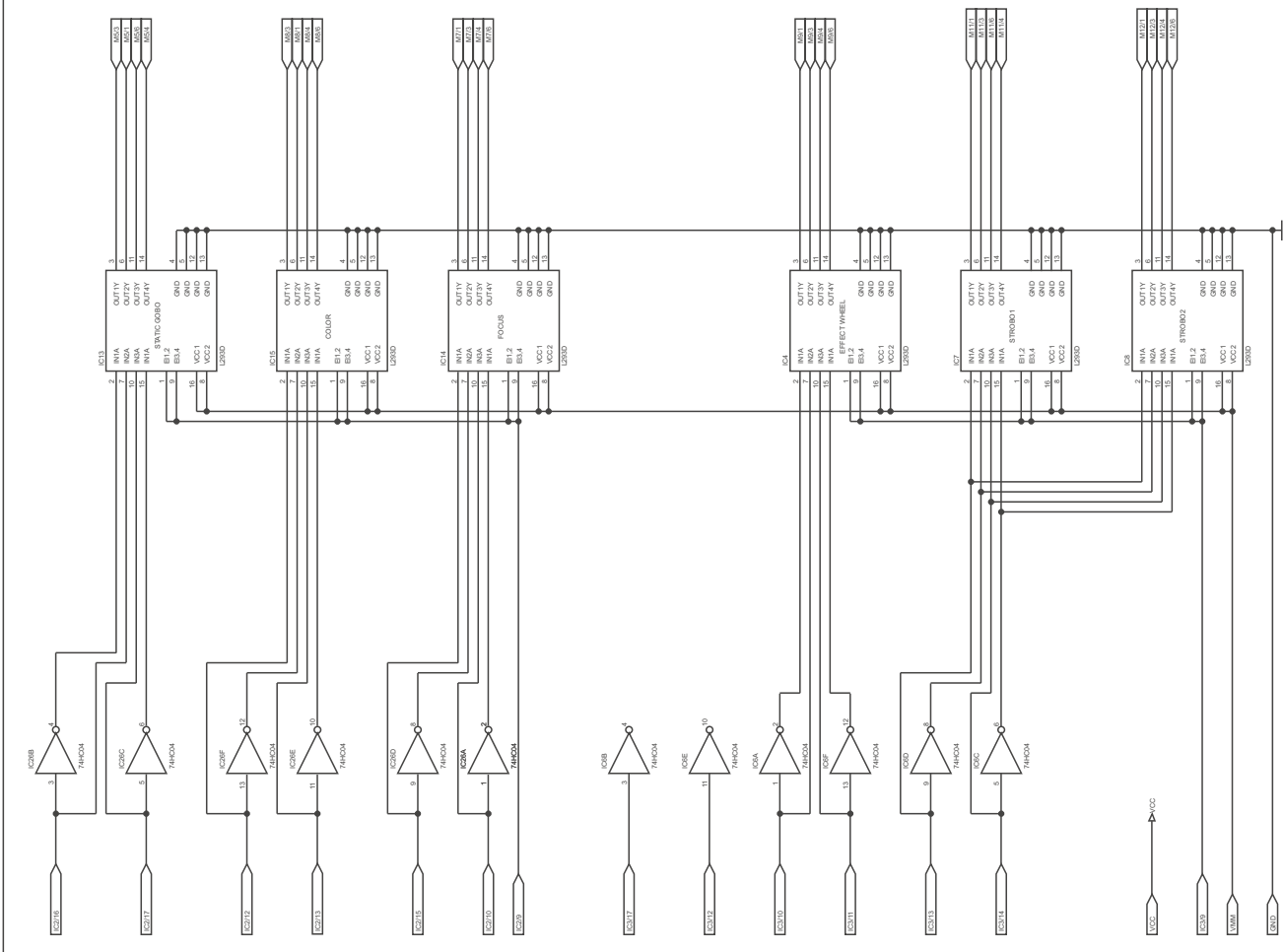


NAME	Futurelight
TITLE	SC 940
DOCUMENT	WIRING DIAGRAM E2 V1.0
SIZE	A4
DATE	26.11.1998
SHEET	3
OF	9



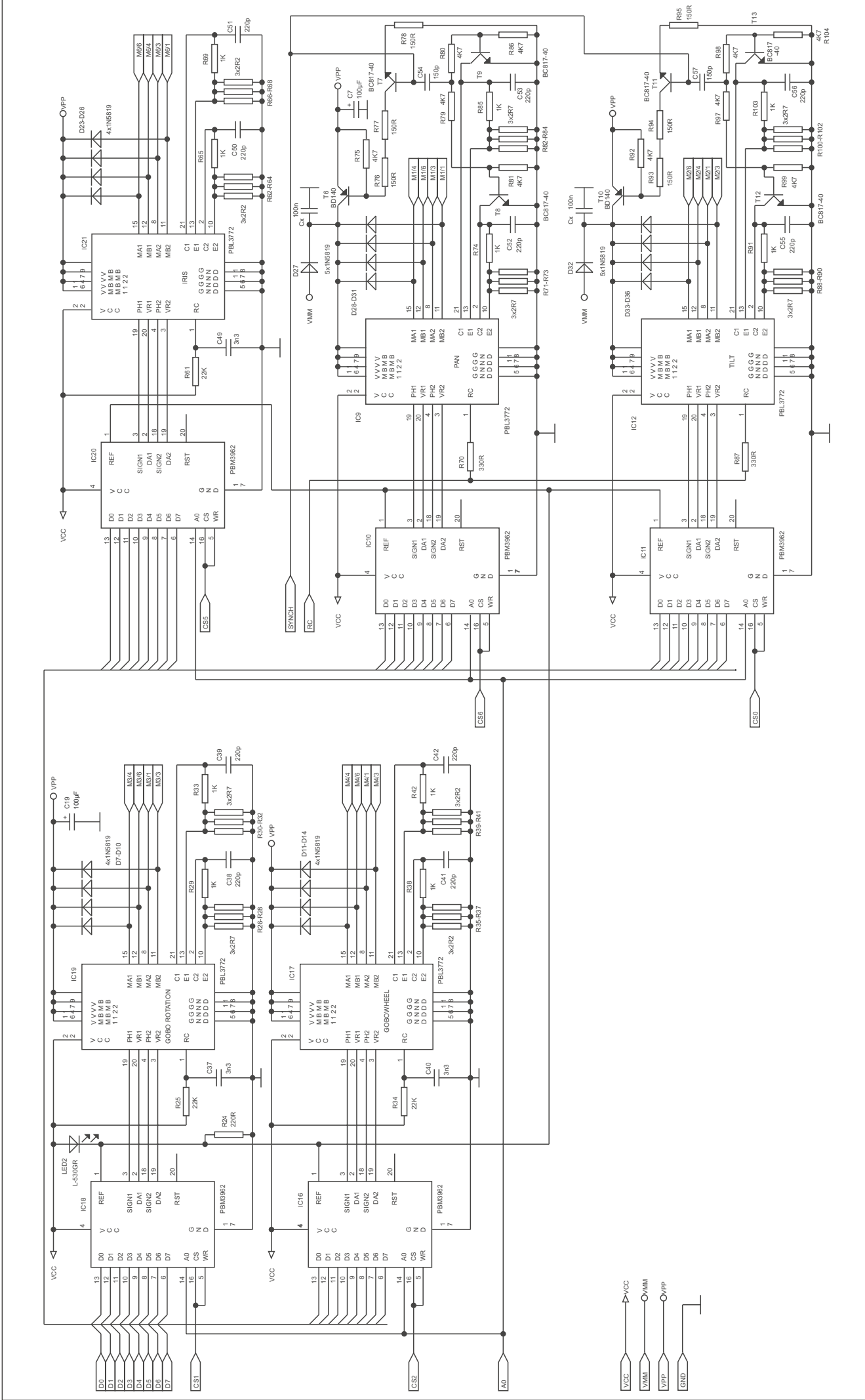


NAME	Futurelight
TITLE	EZ 982
DOCUMENT	CIRCUIT DIAGRAM E3.0 V2.1
SIZE	A4
DATE	26.11.1998
SHEET	5
OF	9

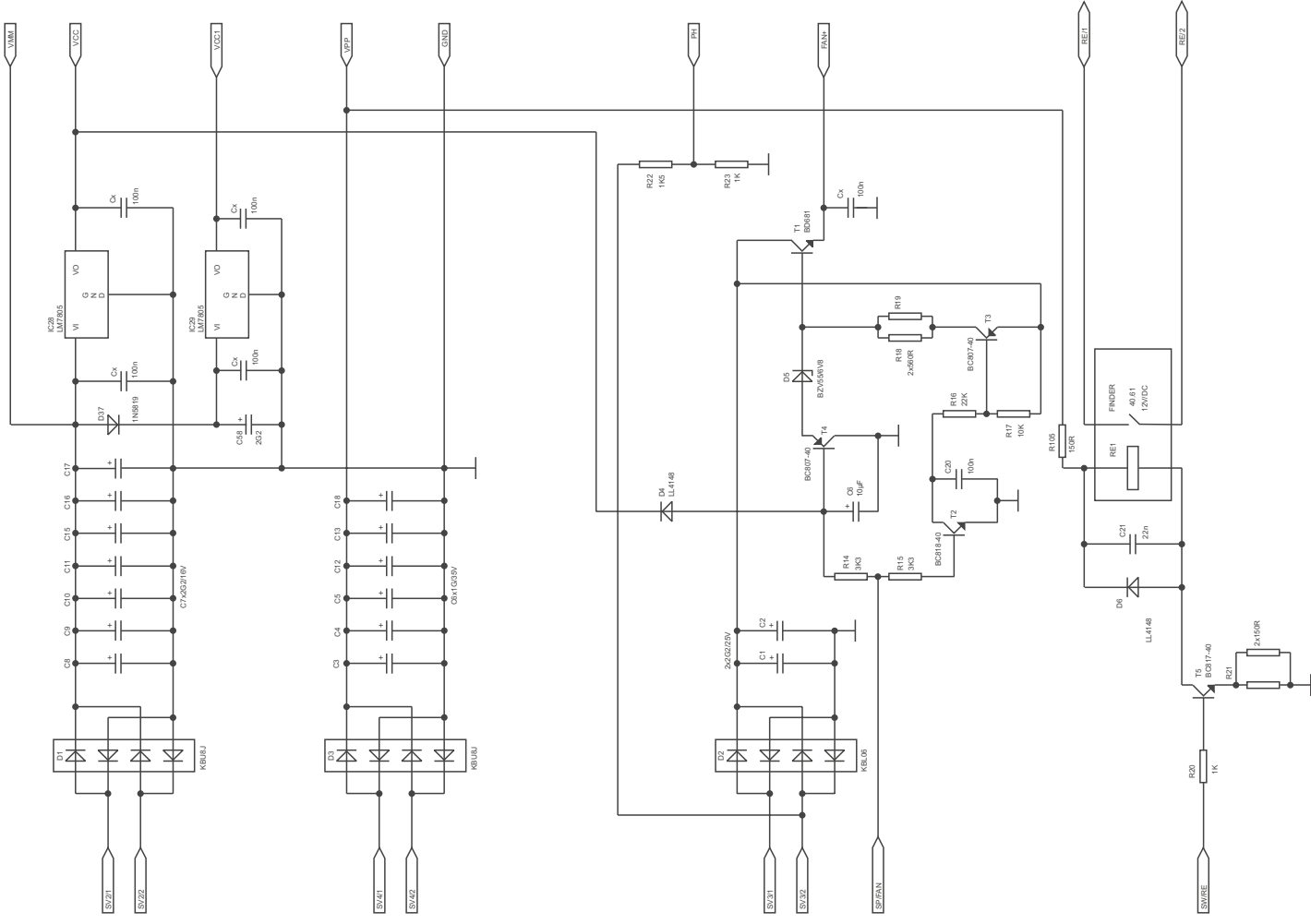


NAME	Futurelight
TITLE	EZ 981 (981)
DOCUMENT	CIRCUIT DIAGRAM E3.2 V2.1
SIZE	A4
DATE	26.11.1998
SHEET	7
OF	9

NAME	Futurelight
TITLE	EZ 981
DOCUMENT	CIRCUIT DIAGRAM E3.1 V2.0
SIZE	A4
DATE	26.11.1998
SHEET	6
OF	9



NAME	Futurelight
TITLE	EZ 982 (981)
DOCUMENT	CIRCUIT DIAGRAM E3.3 V2.1
SIZE	A4
DATE	26.11.1988
SHEET	8
OF	9



NAME	Futurelight
TITLE	EZ 982
DOCUMENT	WIRING DIAGRAM E3.1 V2.1
SIZE	A4
DATE	26.11.1998
SHEET	9
CF	9